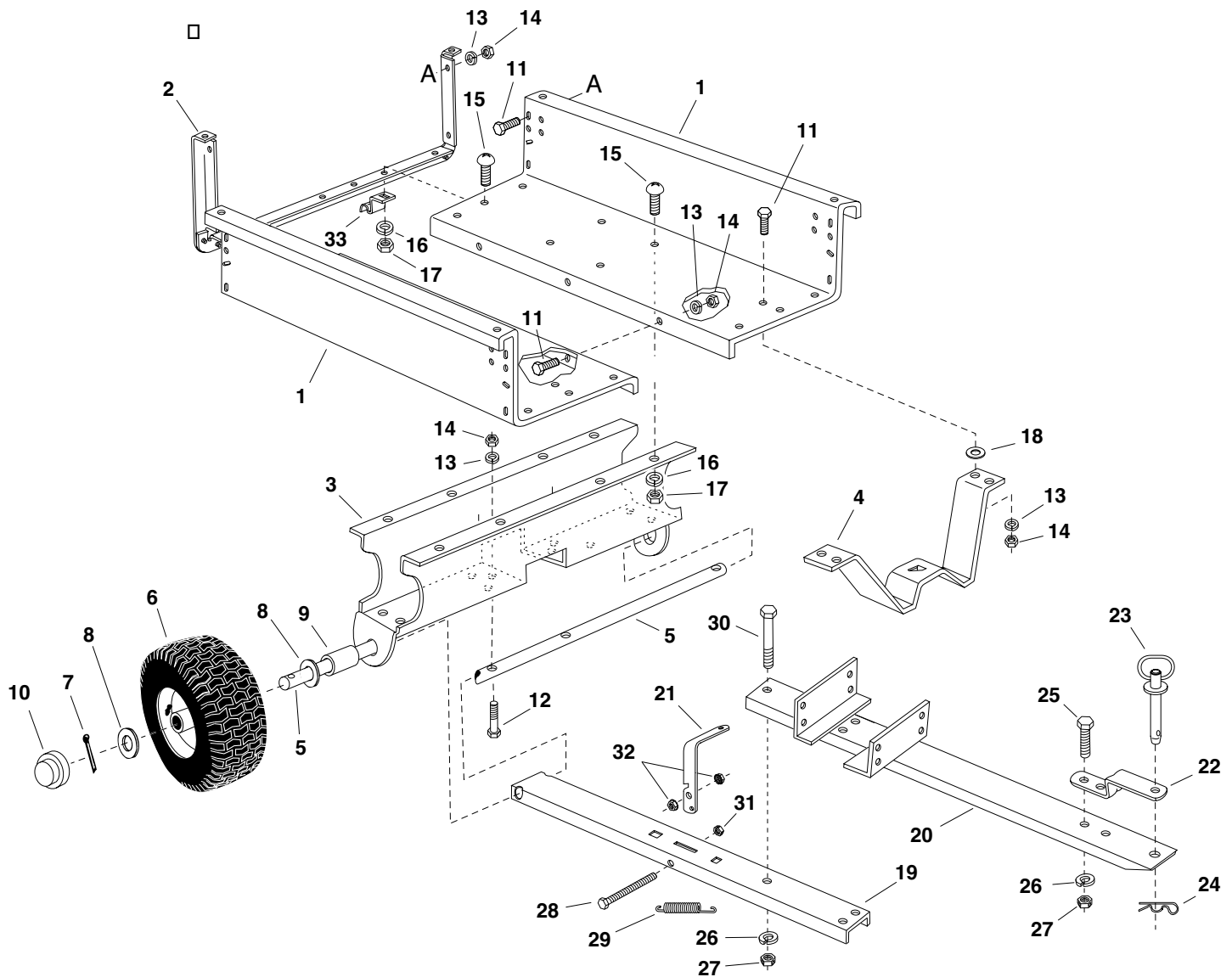


# REPAIR PARTS FOR MODEL 502492 CART BODY



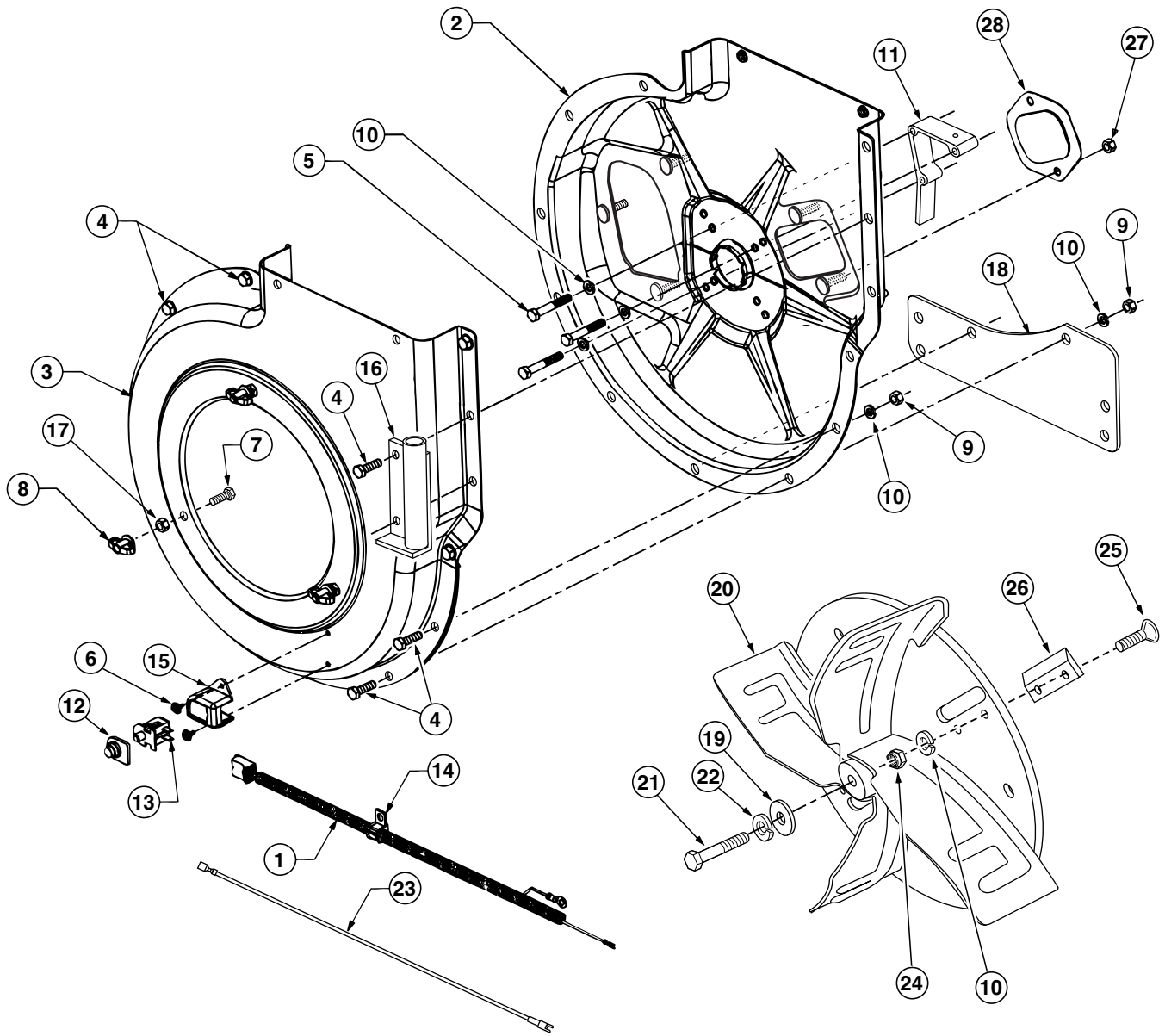
| REF. NO. | PART NO. | QTY. | DESCRIPTION                    | REF. NO. | PART NO. | QTY. | DESCRIPTION                    |
|----------|----------|------|--------------------------------|----------|----------|------|--------------------------------|
| 1        | 23985    | 2    | Cart Body                      | 17       | 43083    | 14   | Hex Nut, 5/16-18 Thread        |
| 2        | 62458    | 1    | Tailgate Reinforcement Bracket | 18       | 43088    | 2    | Washer, Flat 1/4"              |
| 3        | 23507    | 1    | Wheel Support                  | 19       | 63917    | 1    | Tongue Weldment Ass'y. (Rear)  |
| 4        | 24497    | 1    | Latch Stand Bracket            | 20       | 63155    | 1    | Tongue Weldment Ass'y. (Front) |
| 5        | 23488    | 1    | Axle, Wheel 1" Dia.            | 21       | 24614    | 1    | Latch Lock Lever               |
| 6        | 46272    | 2    | Wheel w/Tire, 15 x 6.00        | 22       | 23475    | 1    | Hitch Bracket                  |
| 7        | 43093    | 2    | Cotter Pin, 1/8" Dia. x 1-1/2" | 23       | 43884    | 1    | Hitch Pin                      |
| 8        | 43601    | 4    | Washer, Flat 1"                | 24       | 43343    | 1    | Pin, Hair Cotter 1/8"          |
| 9        | 44678    | 2    | Spacer Tube, 1-1/4" x 2" Lg.   | 25       | 43087    | 2    | Hex Bolt, 3/8-16 x 1-1/4"      |
| 10       | 43014    | 2    | Hub Cap                        | 26       | 43003    | 5    | Lockwasher, 3/8"               |
| 11       | 43866    | 9    | Hex Bolt, 1/4-20 x 5/8"        | 27       | 43082    | 5    | Hex Lock Nut, 3/8-16 Thread    |
| 12       | 1509-69  | 2    | Hex Bolt, 1/4-20 x 1-3/4"      | 28       | 47407    | 1    | Hex Bolt, 5/16-18 x 3-3/4"     |
| 13       | 43177    | 11   | Lockwasher, 1/4"               | 29       | 47408    | 1    | Spring, Extension              |
| 14       | 43178    | 11   | Hex Nut, 1/4-20 Thread         | 30       | 43574    | 3    | Hex Bolt, 3/8-16 x 3"          |
| 15       | 43814    | 14   | Truss Hd. Bolt, 5/16-18 x 3/4" | 31       | 43064    | 1    | Hex Lock Nut, 5/16-18          |
| 16       | 43086    | 14   | Lockwasher, 5/16"              | 32       | 46980    | 2    | Hex Nut, 5/16-18 (SIMS)        |
|          |          |      |                                | 33       | 23838    | 2    | Door Support                   |



# REPAIR PARTS FOR MODEL 502492 CHIP-N-VAC

| REF. NO. | PART NO.    | QTY. | DESCRIPTION  | REF. NO. | PART NO. | QTY. | DESCRIPTION  |
|----------|-------------|------|--|----------|----------|------|--|
| 1        | 24080       | 1    | Engine Base  | 28       | 44790    | 1    | Poly Rear Door   |
| 2        | 24078       | 2    | Brace, Housing   | 29       | 43790    | 1    | Strap, Tarp 25"  |
| 3        | 63226       | 1    | Hose Hanger Bracket Ass'y.<br>(Ref. item #16 on page 22.)      | 30       | 44849    | 2    | "S" Hook, #32  |
| 4        | 43182       | 14   | Bolt, Hex 5/16-18 x 3/4"                                       | 31       | 44850    | 2    | Strap, Tarp (Less Hooks)                               |
| 5        | 43063       | 2    | Bolt, Hex 5/16-18 x 1"   | 32       | 23540    | 1    | Hitch Plate  |
| 6        | 43085       | 4    | Bolt, Hex 5/16-18 x 1-1/2"                                     | 33       | 43866    | 22   | Bolt, Hex 1/4-20 x 5/8"                                |
| 7        | 43086       | 16   | Lockwasher, 5/16" Spring Type                                  | 34       | 43661    | 2    | Bolt, Hex 1/4-20 x 1"                                  |
| 8        | 43064       | 15   | Nut, Hex Lock 5/16-18  | 35       | 43088    | 44   | Washer, 1/4" STD                                       |
| 9        | 63375       | 1    | Assembly, Hose Adapter (Nozzle)<br>(Includes items 10 and 11)) | 36       | 1509-90  | 2    | Bolt, Hex 1/4-20 x 1-1/4"                              |
| 10       | 781-0635    | 1    | Bracket, Switch (Actuator)                                     | 37       | 43178    | 42   | Nut, Hex 1/4-20  |
| 11       | 728-3001    | 3    | Rivet, Pop 5/32"   | 38       | 43177    | 40   | Lockwasher, Spring 1/4"                                |
| 12       | 43012       | 22   | Bolt, Hex 1/4-20 x 3/4"  | 39       | 23789    | 2    | Door Latch   |
| 13       | 43013       | 8    | Nut, Hex Lock 1/4-20 Thd.                                      | 40       | 1543-69  | 9    | Washer, Nylon 21/64"                                   |
| 14       | 75201554811 | 1    | Engine, Tecumseh 8 HP  | 41       | 43351    | 1    | Bolt, Hex 1/2-13 x 1-1/4"                              |
| 15       | 24097       | 1    | Deflector, Muffler   | 42       | 43262    | 1    | Nut, Hex Lock 1/2-13                                   |
| 16       | 63227       | 1    | Hose Hanger Rod Ass'y.   | 43       | 43352    | 1    | Washer, Flat 7/16"                                     |
| 17       | 46420       | 1    | Elbow  | 44       | 43081    | 15   | Washer, 5/16" STD                                      |
| 18       | 43792       | 1    | Hose (6" x 84")  | 45       | 43830    | 1    | Adapter, Deck  |
| 19       | 43793       | 2    | Hose Clamp 6"  | 46       | 23560    | 1    | Bracket, Deck Adapter                                  |
| 20       | 24678       | 2    | Side Panel Cart Extension                                      | 47       | 43080    | 2    | Bolt, Carr. 5/16" x 3/4"                               |
| 21       | 24679       | 1    | Front Panel Cart Extension                                     | 48       | 23825    | 1    | Mounting Strap   |
| 22       | 23836       | 1    | Cross Brace  | 49       | 23826    | 1    | Angle Bracket  |
| 23       | 63217       | 1    | Hard Top Assembly<br>(Includes 24,25,26,27)                    | 50       | 23827    | 1    | Mounting Bracket                                       |
| 24       | 43882       | 8    | Rivet, 3/16"   | 51       | 47630    | 4    | Screw, Self Tap 5/16-18 x 3/4"                         |
| 25       | 43910       | 8    | Washer, Flat 3/16"   | 52       | 712-0421 | 3    | Knob (See also Item #8, Page 32)                       |
| 26       | 23842       | 4    | Boot Mounting Strap  | 53       |          | 1    | Impeller Housing Assembly<br>(See page 32)             |
| 27       | 46480       | 1    | Vinyl Boot (Hardtop)   | 54       | 62468    | 1    | Deck Adapter Kit (Includes parts in<br>box on page 30) |
|          |             |      |  | 55       | 63376    | 1    | Assembly, Chute, Chipper (Upper)                       |
|          |             |      |  | 56       | 735-0249 | 1    | Flap, Chute (Included in item 55)                      |
|          |             |      |  | 57       | 781-0633 | 1    | Strap, Flap (Included in item 55)                      |
|          |             |      |  | 58       | 47810    | 9    | Nut, Nylock 5/16-18                                    |
|          |             |      |  | 59       | 24098    | 1    | Bracket, Chute Reinforcement                           |
|          |             |      |  | 60       | 731-1617 | 1    | Tamper, Plug   |
|          |             |      |  | 61       | 681-0068 | 1    | Chute Assembly   |
|          |             |      |  |          | 47829    | 1    | Owner's Manual   |

# REPAIR PARTS FOR MODEL 502492 CHIP-N-VAC IMPELLER HOUSING ASSEMBLY



| REF. NO. | PART NO.  | QTY. | DESCRIPTION                    | REF. NO. | PART NO. | QTY. | DESCRIPTION                     |
|----------|-----------|------|--------------------------------|----------|----------|------|---------------------------------|
| 1        | 629-0241A | 1    | Harness, Wire                  | 15       | 731-1613 | 1    | Cover, Switch                   |
| 2        | 63993     | 1    | Housing Ass'y. Inner           | 16       | 63226    | 1    | Hose Hanger Bracket. Ass'y.     |
| 3        | 24633     | 1    | Housing Ass'y. Outer           | 17       | 712-3046 | 3    | Nut, Hex Jam 5/16-18 Thd.       |
| 4        | 43182     | 12   | Bolt, Hex 5/16-18 x 3/4"       | 18       | 24606    | 1    | Spacer, Housing                 |
| 5        | 710-0772  | 3    | Bolt, Hex 5/16-24 x 2"         | 19       | 736-0247 | 1    | Flat Washer, 13/32" x 1-1/4"    |
| 6        | 710-1268  | 2    | Screw, Self Tap #10-16 x 3/8"  | 20       | 63924    | 1    | Impeller Assembly               |
| 7        | 43063     | 3    | Bolt, Hex 5/16-18 x 1"         | 21       | 710-1273 | 1    | Bolt, Hex 3/8-24 x 2-3/4"       |
| 8        | 712-0421  | 3    | Knob                           | 22       | 43003    | 1    | Lockwasher, 3/8"                |
| 9        | 43064     | 12   | Nut, Hex Lock 5/16-18          | 23       | 629-0923 | 1    | Harness Adapter                 |
| 10       | 43086     | 19   | Washer, Lock 5/16" Spring Type | 24       | 44738    | 4    | Nut, Hex Lock 5/16-24 "Unitork" |
| 11       | 719-0330A | 1    | Adapter, Mounting              | 25       | 710-1054 | 4    | Screw, Flat Hd. 5/16-24 x 1"    |
| 12       | 725-1700  | 1    | Cover, Switch                  | 26       | 742-0544 | 2    | Blade, Chipper                  |
| 13       | 725-3166  | 1    | Snap Mount Switch              | 27       | 47810    | 2    | Nut, Nylock 5/16-18             |
| 14       | 726-0272  | 1    | Clamp                          | 28       | 781-0627 | 1    | Cover, Chipper                  |