

204400

Illustrated Parts List

Model Series

204400

TYPE NUMBERS
0036 through 0214.

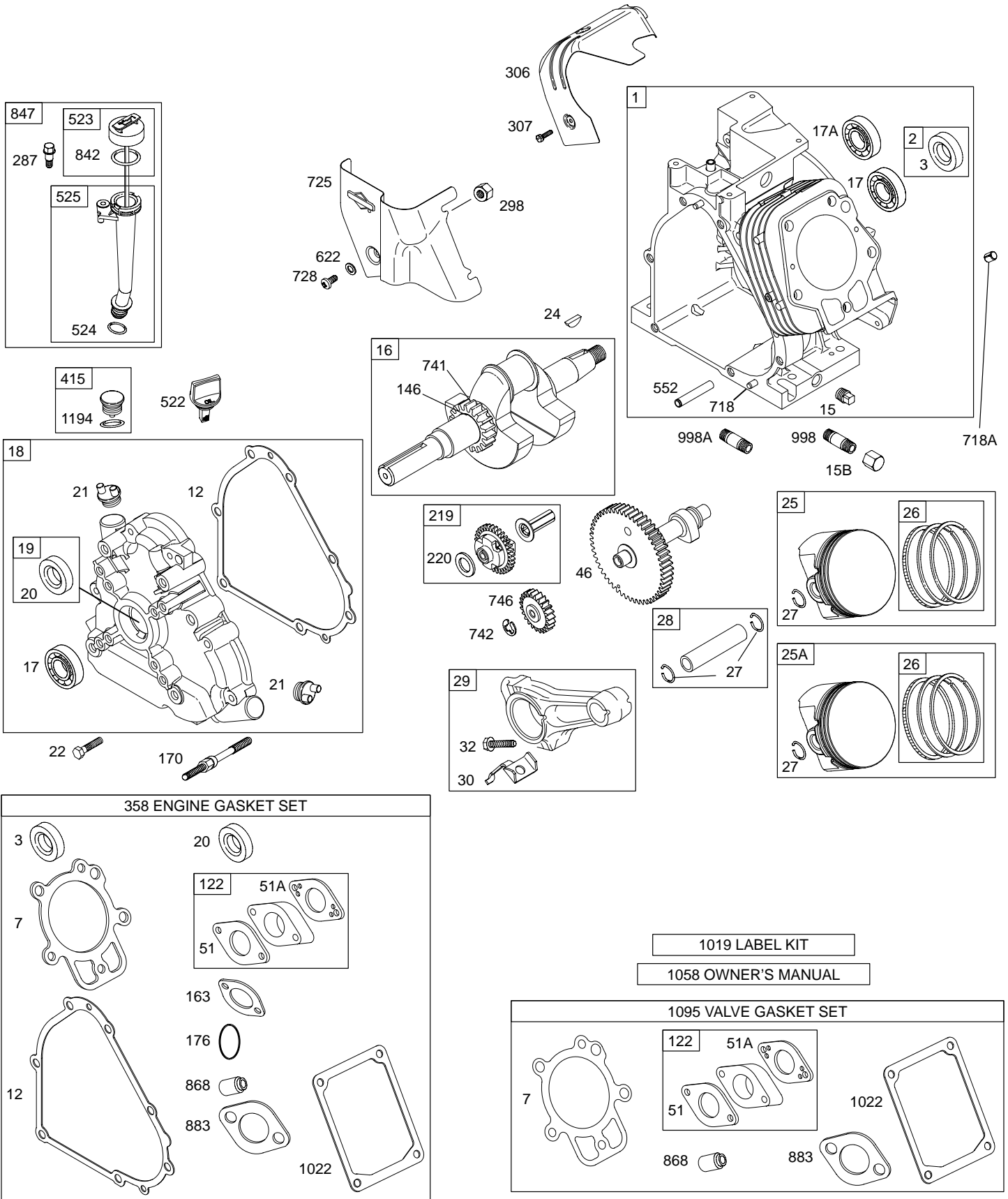
TABLE OF CONTENTS

Air Cleaner	6
Alternator	10
Blower Housing/Shrouds	7
Cams	2
Carburetor #1	4
Carburetor #2	5
Controls	8
Crankcase Cover/Sump	2
Crankshaft	2
Cylinder	2
Electric Starter	9
Flywheel	7
Fuel Tank	8
Gear Reducer	9
Governor Spring	8
Head/Valves	3
Ignition	10
Kit/Gasket Sets – Carburetor	5
Kit/Gasket Sets – Engine	2
Kit/Gasket Sets – Valve	2
Muffler	6
Oil	2
Piston Group	2
Rewind	7

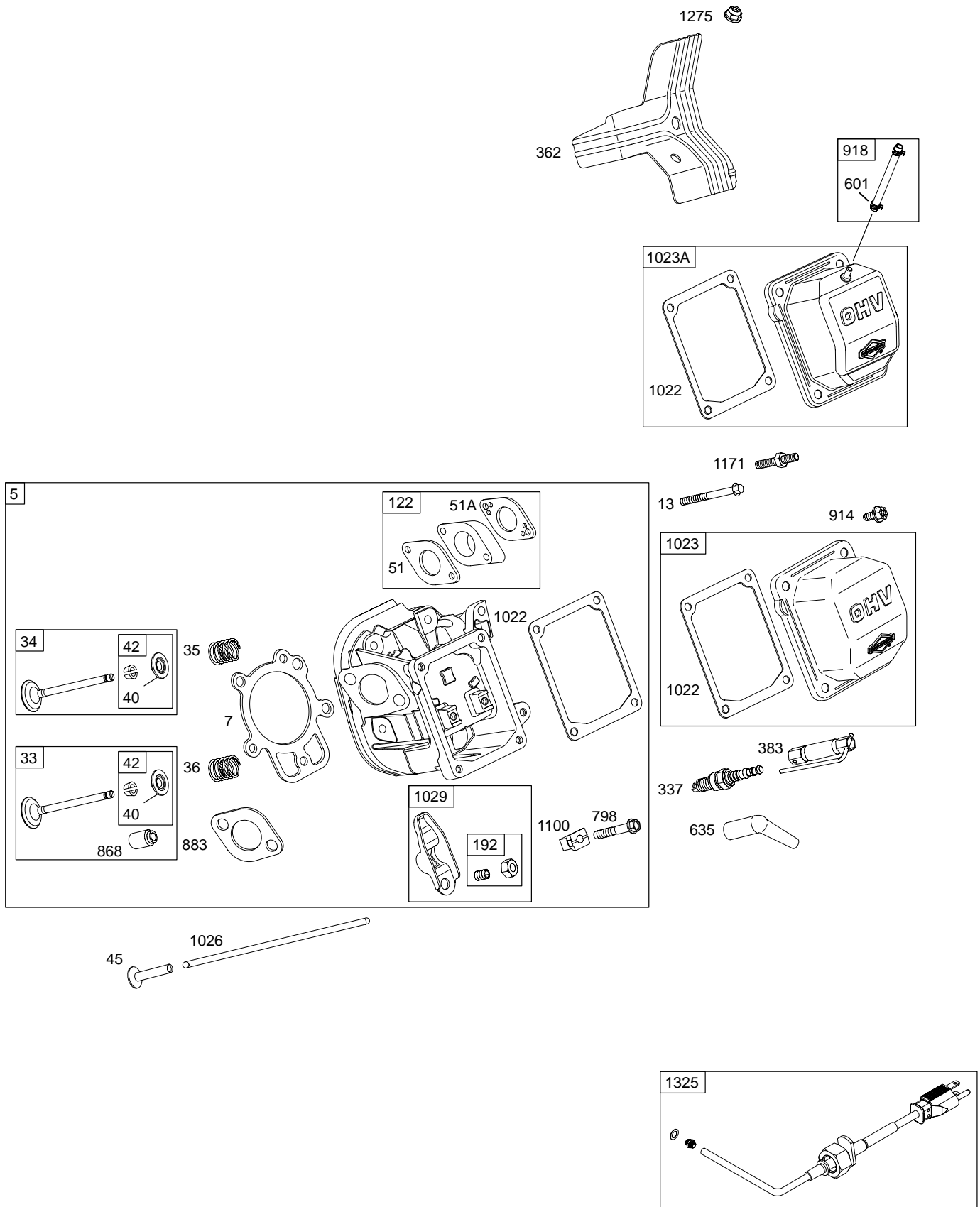
PRINTED IN U.S.A.



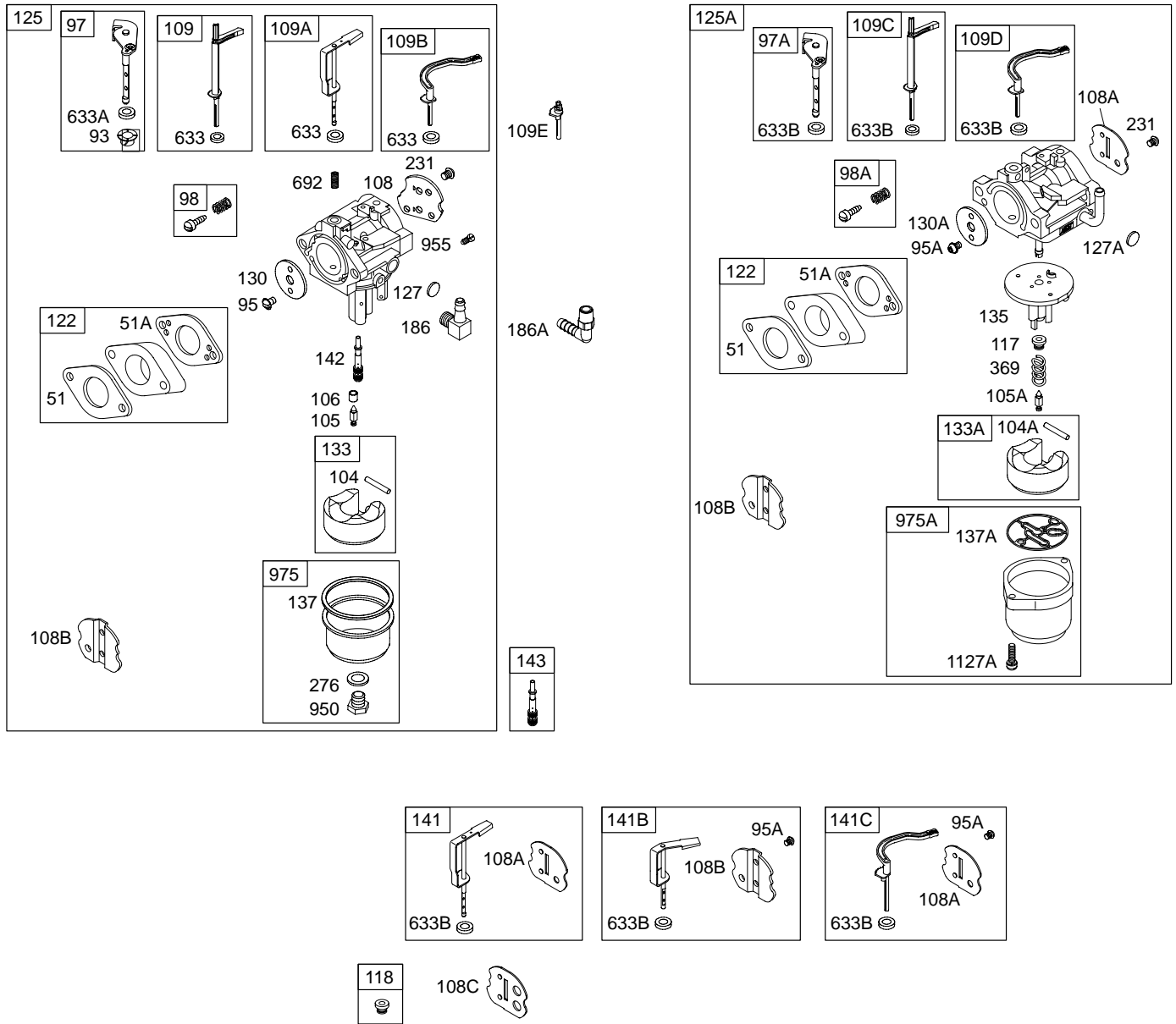
COPYRIGHT by BRIGGS & STRATTON CORPORATION
All rights reserved. No part of this material may be reproduced or transmitted, in any form or by any means, electronic or mechanical, including photocopying, recording or by any information storage and retrieval system, without permission in writing from Briggs & Stratton Corporation.



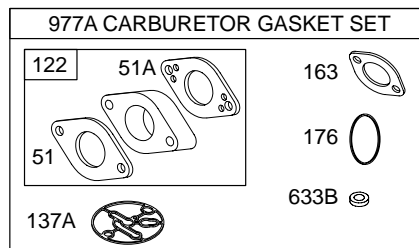
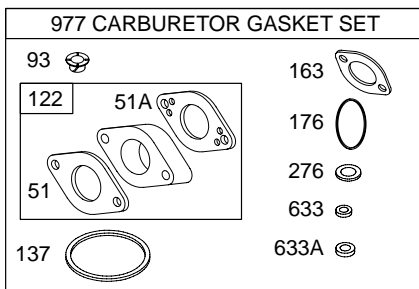
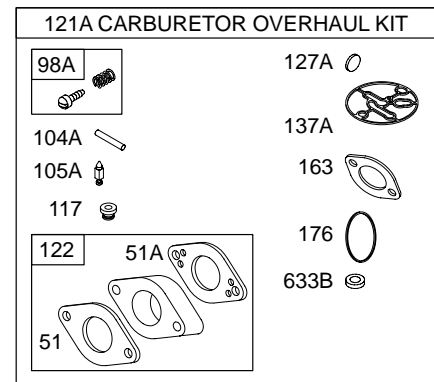
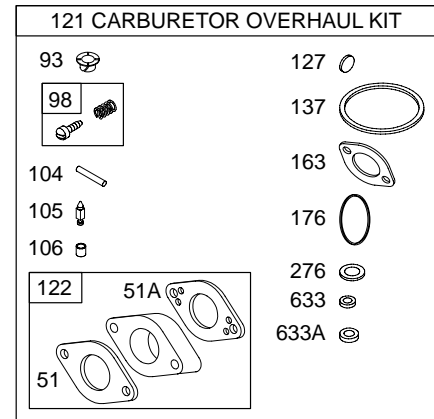
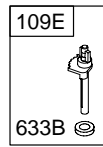
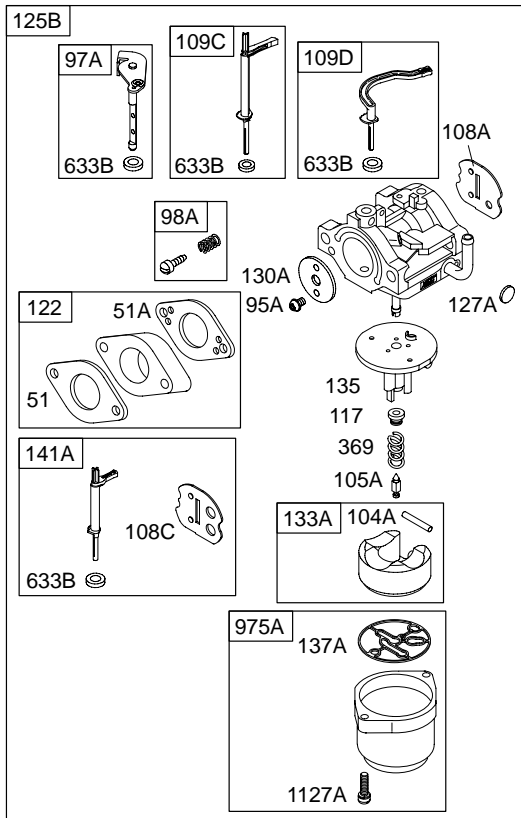
Illustrations cover a range of engines. Parts shown without corresponding text are not used on this engine.
6444-2 Assemblies include all parts shown in frames. **05/08/2003**

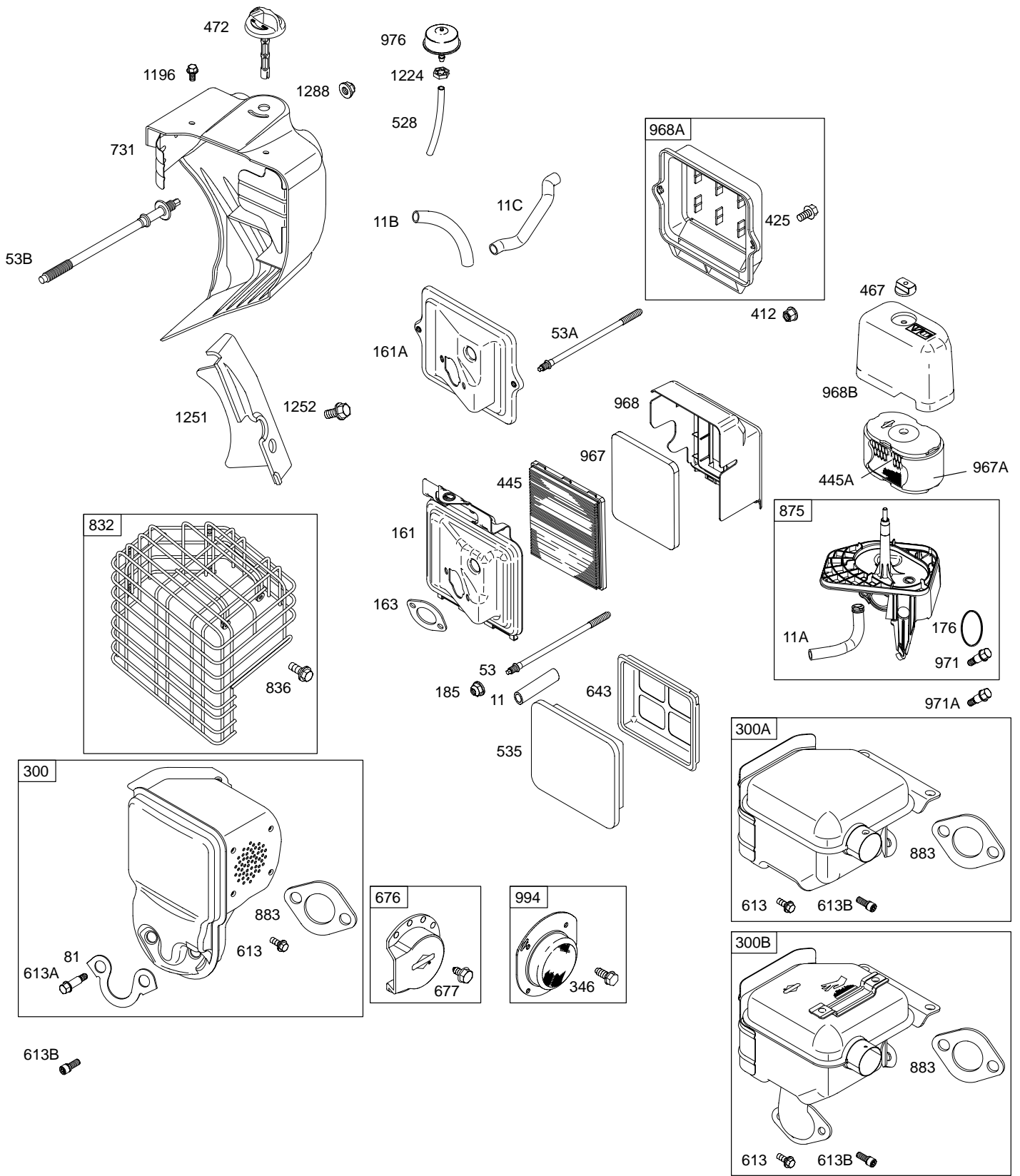


Illustrations cover a range of engines. Parts shown without corresponding text are not used on this engine.
6444-3 Assemblies include all parts shown in frames. 05/08/2003



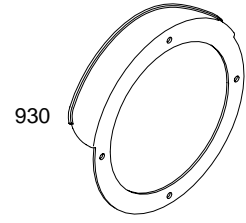
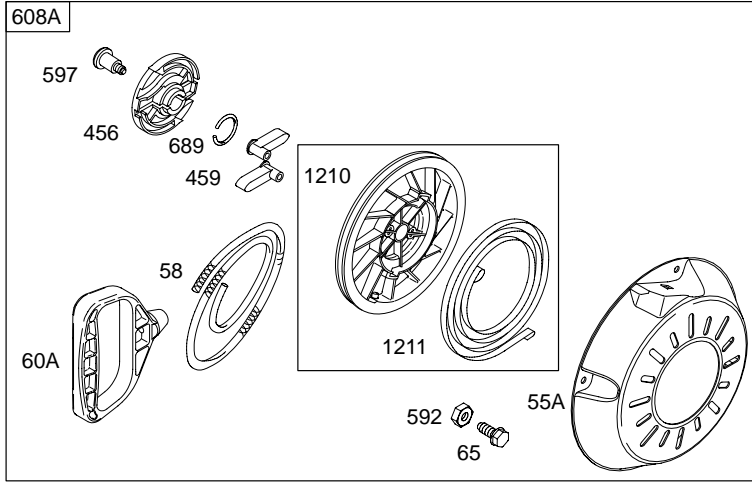
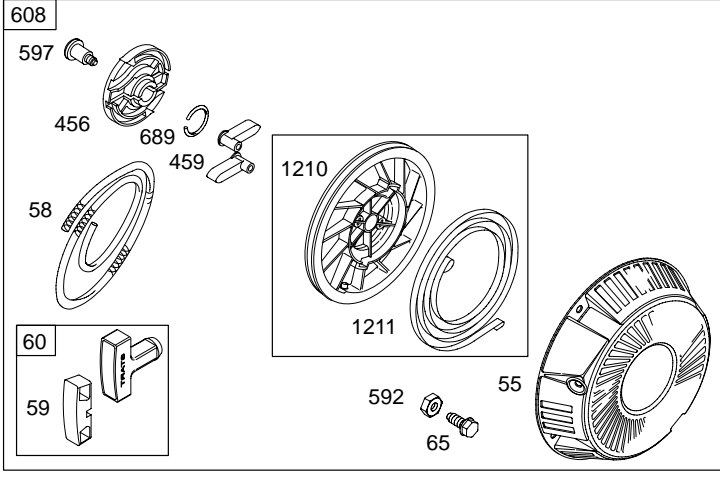
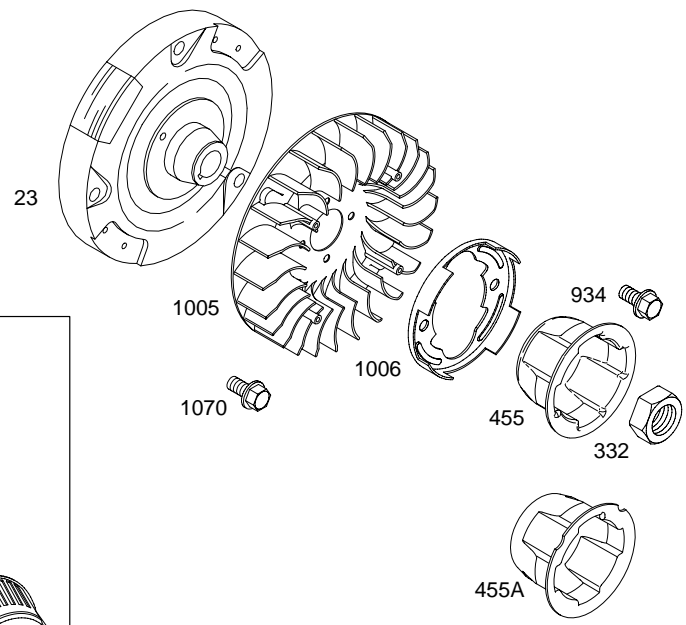
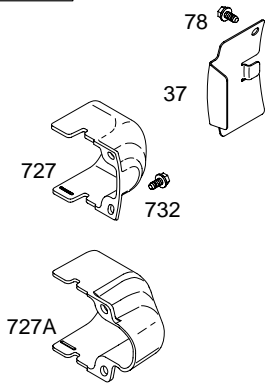
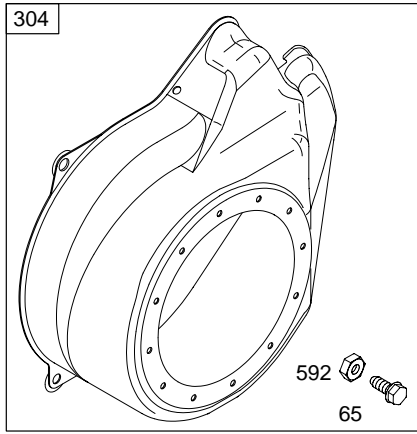
Illustrations cover a range of engines. Parts shown without corresponding text are not used on this engine.
 6444-4 Assemblies include all parts shown in frames. 05/08/2003



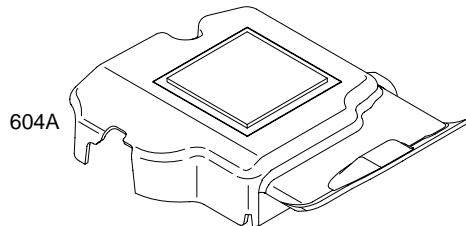
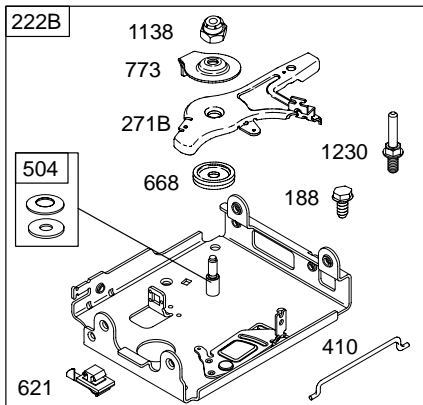
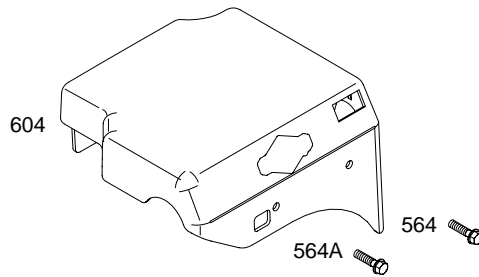
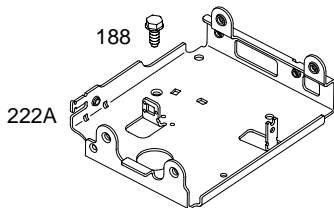
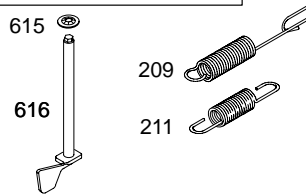
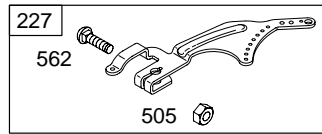
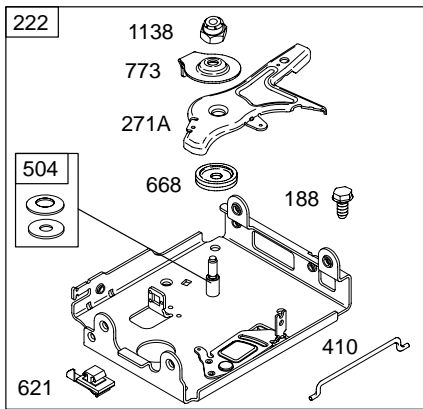
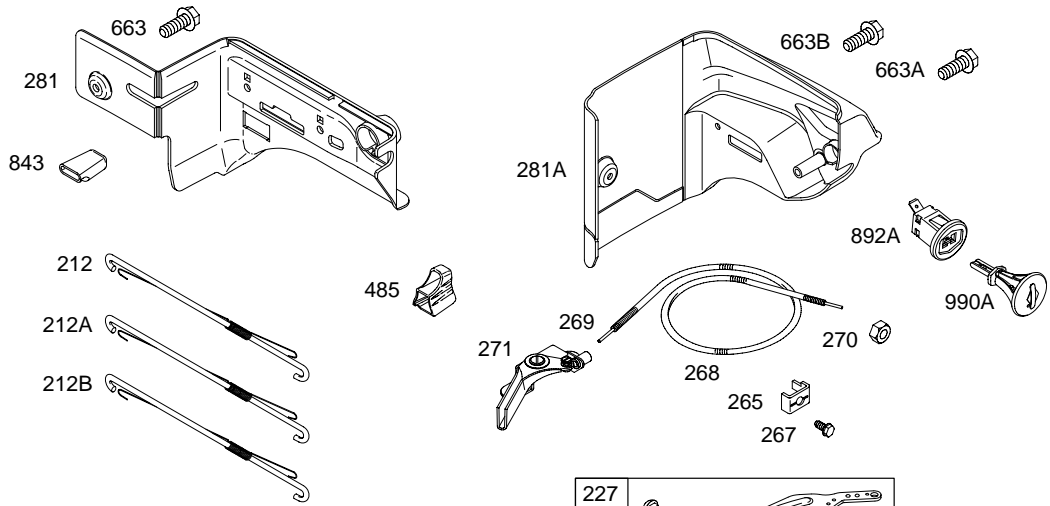


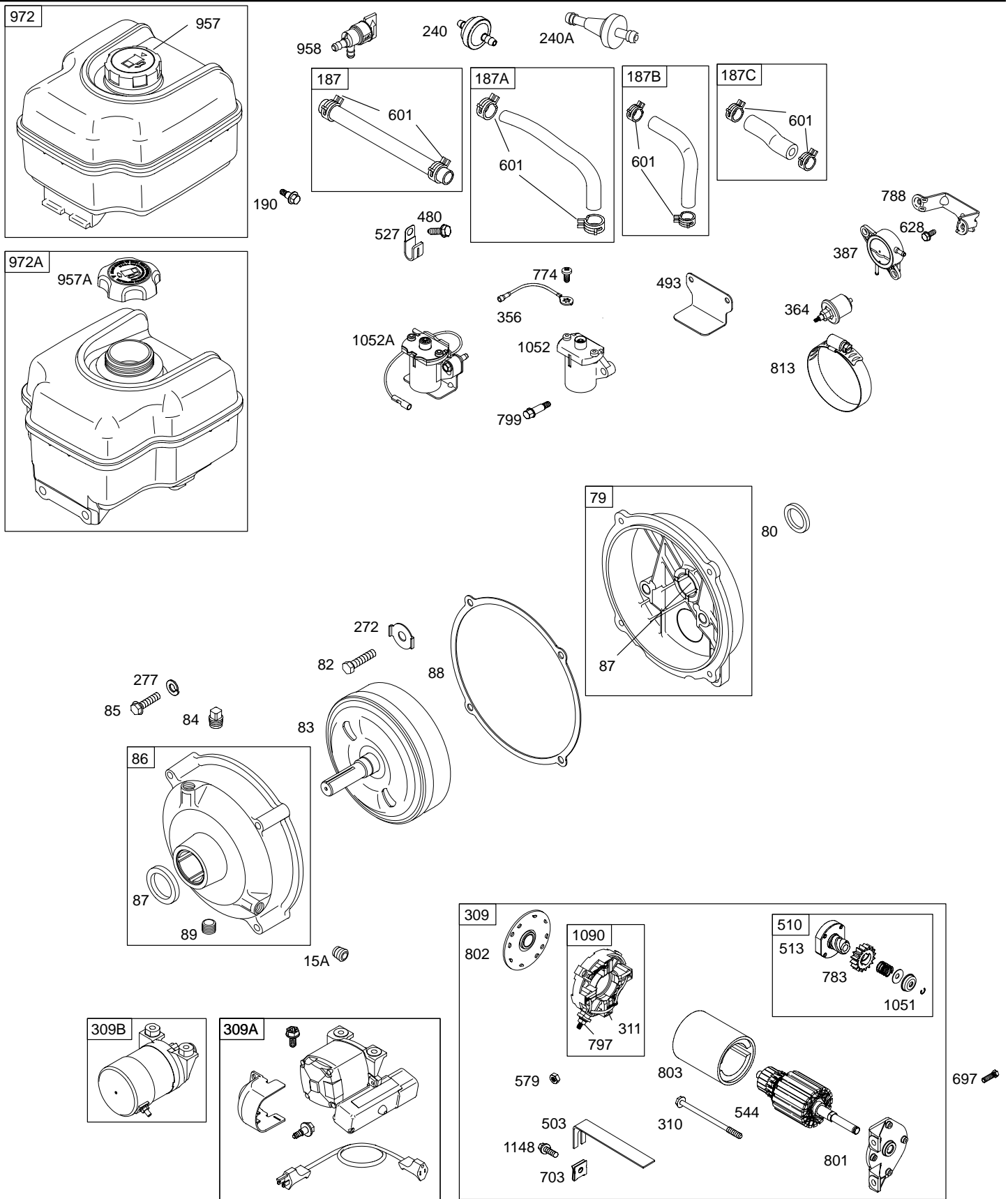
Illustrations cover a range of engines. Parts shown without corresponding text are not used on this engine.
6444-6 Assemblies include all parts shown in frames. **05/08/2003**

1036 EMISSION LABEL



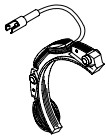
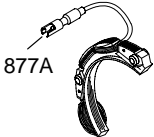
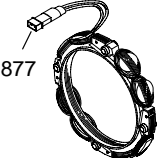
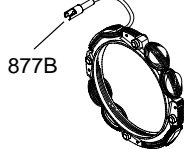
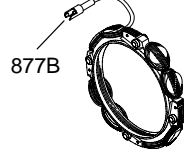
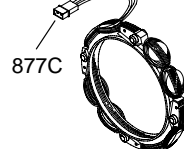
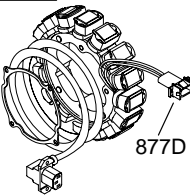
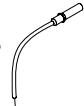
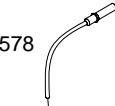

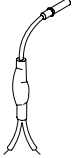

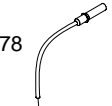
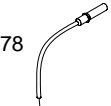

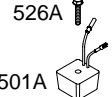

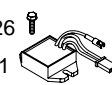



Illustrations cover a range of engines. Parts shown without corresponding text are not used on this engine.
 6444-7 Assemblies include all parts shown in frames. 05/08/2003

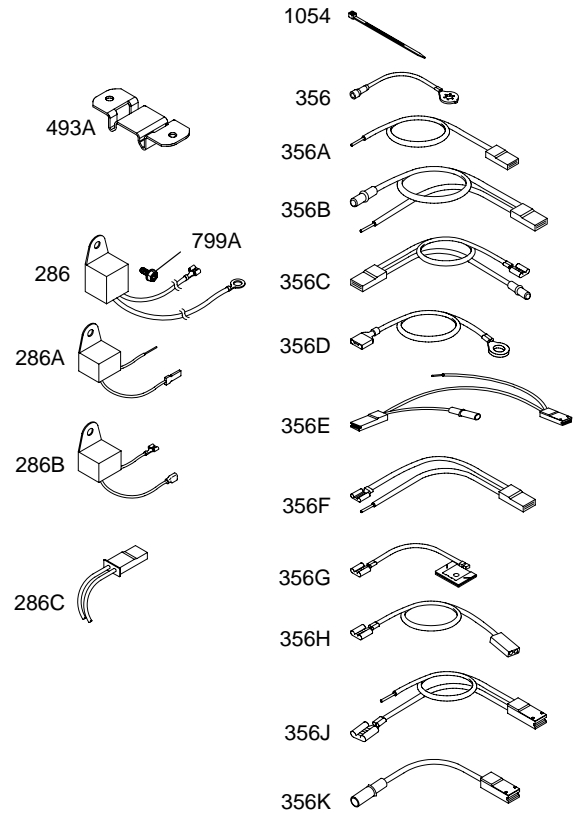
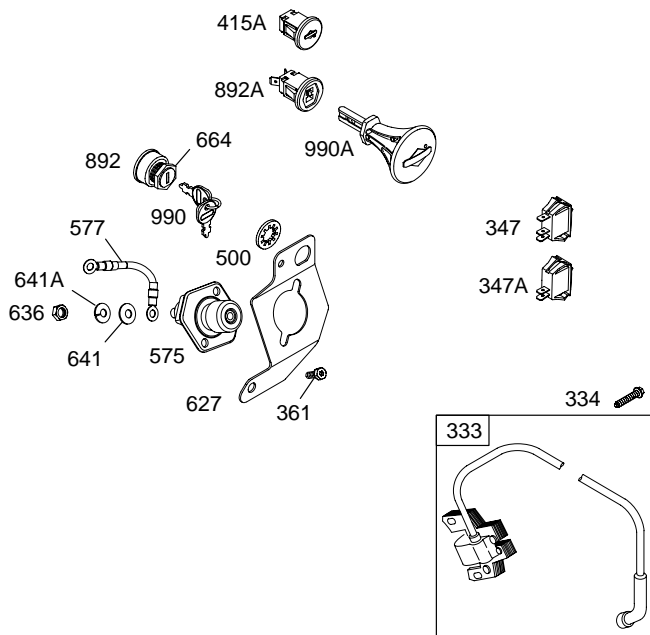




Illustrations cover a range of engines. Parts shown without corresponding text are not used on this engine.
 6444-9 Assemblies include all parts shown in frames. 05/08/2003

204400

AC ONLY	DC ONLY	DUAL CIRCUIT	TRI CIRCUIT	5 – 9 AMP	10 – 16 AMP	20 AMP
474 	474A 	474B 	474C 	474C 	474D 	474E 
578 	578 	878 	878A 	578 	578 	578 
<p>NOTE: All stators use a No. 1119 mounting screw. </p> <p>NOTE: The proper flywheel part number and/or the alternator magnet size will determine the alternator type or output. See repair instruction manual for additional information.</p>				526A  501A 	526  501 	526B  501B 



REF. NO.	PART NO.	DESCRIPTION	REF. NO.	PART NO.	DESCRIPTION	REF. NO.	PART NO.	DESCRIPTION
1	695464	Cylinder Assembly	21	281658	Cap—Oil Fill	46	697239	Camshaft
2	698340	Kit—Bushing/Seal (Magneto Side)	22	695174	Screw (Crankcase Cover/ Sump)			(Used After Code Date 01080600).
3	★391086	Seal—Oil (Magneto Side)	23	694954	Flywheel			———— Note ————
5	697233	Head—Cylinder (Used After Code Date 01102800).			———— Note ————			694680 Camshaft
		———— Note ————			695485 Flywheel			(Used Before Code Date 01080700).
		698040 Head—Cylinder (Used Before Code Date 01102900).			Used on Type No(s). 0110, 0115, 0129, 0141, 0143, 0154, 0214.	51★△◆◆694874		Gasket—Intake
7	★△694872	Gasket—Cylinder Head	24	222698	Key—Flywheel	51A★△◆◆694875		Gasket—Intake
11	694871	Tube—Breather	25A	695457	Piston Assembly (Standard)	53	694869	Stud (Carburetor)
11C	696796	Tube—Breather			———— Note ————	55	695288	Housing—Rewind Starter
12	★694953	Gasket—Crankcase			695458 Piston Assembly (.010" Oversize)	58	693389	Rope—Starter (Cut to Required- Length)
13	690360	Screw (Cylinder Head)			695459 Piston Assembly (.020" Oversize)	59	805957	Insert—Grip
15	691686	Plug—Oil Drain (Square Head)			695460 Piston Assembly (.030" Oversize)	60	715257	Grip—Starter Rope
16	695462	Crankshaft			———— Note ————	65	690837	Screw (Rewind Starter)
		———— Note ————			695369 Crankshaft Used on Type No(s). 0114, 0115, 0117, 0125, 0157.			———— Note ————
		694678 Crankshaft Used on Type No(s). 0109, 0118, 0119, 0129, 0130, 0134, 0143, 0149, 0153, 0156.	26	694004	Ring Set (Standard)			690759 Screw (Rewind Starter) Used on Type No(s). 0110, 0115, 0129, 0141, 0143, 0154.
		696512 Crankshaft Used on Type No(s). 0113.			———— Note ————	81	695400	Lock—Muffler Screw
		696412 Crankshaft Used on Type No(s). 0213, 0214.			694006 Ring Set (.010" Oversize)	93	◆690602	Bushing—Throttle Shaft
		695372 Cover— Crankcase Used on Type No(s). 0036, 0110, 0213, 0214.	27	690975	Lock—Piston Pin	95	691636	Screw (Throttle Valve)
17	695434	Bearing—Ball	28	690229	Pin—Piston	95A	690718	Screw (Throttle Valve)
18	696914	Cover—Crankcase	29	694691	Rod—Connecting	97	695325	Shaft—Throttle
		———— Note ————	30	694692	Dipper—Connecting Rod	97A	696387	Shaft—Throttle
		695372 Cover— Crankcase Used on Type No(s). 0036, 0110, 0213, 0214.	32	690976	Screw (Connecting Rod)	98	◆495800	Kit—Idle Speed
		695372 Cover— Crankcase Used on Type No(s). 0036, 0110, 0213, 0214.	33	499596	Valve—Exhaust	98A	◆695408	Kit—Idle Speed
19	698340	Kit—Bushing/Seal (PTO Side)	34	697464	Valve—Intake	104	◆690525	Pin—Float Hinge
20	★391086	Seal—Oil (PTO Side)	35	694865	Spring—Valve (Intake)	104A	◆694918	Pin—Float Hinge
			36	694865	Spring—Valve (Exhaust)	105	◆691782	Valve—Float Needle
			40	690964	Retainer—Valve	105A	◆696136	Valve—Float Needle
			42	499586	Keeper—Valve	106	◆690577	Seat—Inlet
			45	690977	Tappet—Valve	108	696208	Valve—Choke
						108A	696143	Valve—Choke
						108B	696209	Valve—Choke
								Used on Type No(s). 0109, 0118, 0129, 0130, 0134, 0136, 0141, 0142, 0143, 0145, 0147, 0149, 0153, 0156.
						109	695331	Shaft—Choke
						109C	696145	Shaft—Choke

★ Included in Engine Gasket Set—Ref. No.358.

● Included in Carburetor Overhaul Kit—Ref. No. 121 &121A.

◆ Included in Carburetor Gasket Set—Ref. No. 977 & 977A.

⊗ Included in Valve Gasket Set—Ref. No 1095.

Illustrations cover a range of engines. Parts shown without corresponding text are not used on this engine.

204400

REF. NO.	PART NO.	DESCRIPTION	REF. NO.	PART NO.	DESCRIPTION	REF. NO.	PART NO.	DESCRIPTION
117	●696134	Jet—Main (Standard)	133	494381	Float—Carburetor	170	695174	Stud (Crankcase Cover/Sump)
118	696135	Jet—Main (High Altitude)	133A	694914	Float—Carburetor	185	690958	Nut (Air Cleaner Base)
121	695441	Kit—Carburetor Overhaul (Use With Walbro Carburetors)	135	696142	Tube—Fuel Transfer	186	692317	Connector—Hose
121A	696146	Kit—Carburetor Overhaul (Nikki Carburetors)	137	◆281165	Gasket—Float Bowl	187	691050	Line—Fuel (Cut To Required Length) Used on Type No(s). 0136, 0153, 0156, 0157.
122★◆	694876	Spacer—Carburetor	137A	◆695426	Gasket—Float Bowl	187A	695429	Line—Fuel
125	695330	Carburetor (Used Before Code Date 00081800). (Walbro) Used on Type No(s). 0036, 0100, 0110, 0114.	141	696145	Shaft—Choke (Used After Code Date 03020900). Used on Type No(s). 0036, 0100, 0105, 0110, 0113, 0114, 0115, 0117, 0119, 0125, 0146, 0150, 0157.	187B	695482	Line—Fuel
125A	698455	Carburetor (Used After Code Date 03020900). Used on Type No(s). 0109, 0118, 0130, 0134, 0136, 0141, 0142, 0143, 0145, 0147, 0149, 0153, 0154, 0156.	141B	698457	Shaft—Choke (Used After Code Date 03020900). Used on Type No(s). 0109, 0118, 0129, 0130, 0134, 0136, 0141, 0142, 0143, 0145, 0147, 0149, 0153, 0154, 0156.	187C	695483	Line—Fuel
		Note ———			Note ———	188	690877	Screw (Control Bracket)
		695919 Carburetor (Used After Code Date 00081700). Used on Type No(s). 0036, 0100, 0105, 0110, 0113, 0114, 0115, 0117, 0119, 0125, 0146, 0150, 0151, 0155, 0157, 0213, 0214.			696208 Shaft—Choke (Used Before Code Date 03021000). Used on Type No(s). 0109, 0118, 0129, 0130, 0134, 0136, 0141, 0142, 0143, 0145, 0147, 0149, 0153, 0154, 0156.	190	692127	Screw (Fuel Tank)
		Note ———				192	690083	Adjuster—Rocker Arm
		695918 Carburetor (Used Before Code Date 03021000). Used on Type No(s). 0109, 0118, 0129, 0130, 0134, 0136, 0141, 0142, 0143, 0145, 0147, 0149, 0154, 0156.	141C	696144	Shaft Choke (Used Before Code Date 03021000). Used on Type No(s). 0113, 0114, 0125.	209	694867	Spring—Governor
127	●694524	Plug—Welch	142	695528	Nozzle—Carburetor (Standard)			Note ———
127A	●690727	Plug—Welch	143	695529	Nozzle—Carburetor (High Altitude)			696638 Spring—Governor (Used on Type No(s). 0114, 0115, 0125, 0157.)
130	690468	Valve—Throttle	146	690979	Key—Timing	211	695307	Spring—Governor Idle
130A	696139	Valve—Throttle	161	695384	Base—Air Cleaner (Metal)	212	694868	Link—Throttle (Used With Walbro Carburetors)
			161A	694870	Base—Air Cleaner (Metal) (Used on Type No(s). 0109, 0118, 0129, 0130, 0134, 0136, 0141, 0142, 0143, 0145, 0147, 0149, 0153, 0154, 0156.)	212A	695917	Link—Throttle (Used With Nikki Carburetor)
			163★◆	692277	Gasket—Air Cleaner	219	693578	Gear—Governor
						220	691724	Washer (Governor Gear)
						222	695380	Bracket—Control
						222A	694866	Bracket—Control (Used on Type No(s). 0109, 0118, 0119, 0125, 0129, 0130, 0134, 0136, 0141, 0142, 0143, 0145, 0146, 0147, 0149, 0150, 0151, 0153, 0154, 0156.)
						227	694864	Lever—Governor Control
						231	691636	Screw (Choke Valve)
								Note ———
								690718 Screw (Choke Valve)

★ Included in Engine Gasket Set—Ref. No.358.

● Included in Carburetor Overhaul Kit—Ref. No. 121 &121A.

◆ Included in Carburetor Gasket Set—Ref. No. 977 & 977A.

⊗ Included in Valve Gasket Set—Ref. No 1095.

Illustrations cover a range of engines. Parts shown without corresponding text are not used on this engine.

REF. NO.	PART NO.	DESCRIPTION	REF. NO.	PART NO.	DESCRIPTION	REF. NO.	PART NO.	DESCRIPTION
240	298090	Filter–Fuel Used on Type No(s). 0109, 0118, 0119, 0129, 0130, 0134, 0136, 0142, 0143.	286A	698870	Module–Oil Sensor (For Rewind Starter Engines) (Used After Code Date 03010500). Used on Type No(s). 0143.	305	690960	Screw (Blower Housing) ———— Note ——— 691125 Screw (Blower Housing) Used on Type No(s). 0142, 0147, 0154, 0156.
240A	694485	Filter–Fuel				306	697240	Shield–Cylinder (Used After Code Date 01102800). ———— Note ——— 696698 Shield Cylinder (Used Before Code Date 01102900).
265	691024	Clamp–Casing				307	690960	Screw (Cylinder Shield) ———— Note ——— 691660 Screw (Cylinder Shield)
267	692577	Screw (Casing Clamp)				309	695479	Motor–Starter
268	691025	Casing–Control Wire (Cut to Required Length)				310	690323	Bolt (Starter Motor)
269	691026	Wire–Control (Cut to Required Length)	286B	696058	Module–Oil Sensor (Electric Start Engines) (Used Before Code Date 03010600). Used on Type No(s). 0143.	311	497608	Brush Set
270	691027	Nut (Control Wire Casing)				332	694685	Nut (Flywheel)
271	691028	Lever–Control				333	715231	Armature–Magneto
271A	695381	Lever–Control				334	691061	Screw (Magneto Armature)
276	◆692255	Washer–Sealing	287	691693	Screw (Dipstick/Tube)	337	491055	Plug–Spark ———— Note ——— 691043 Plug–Spark Used on Type No(s). 0105, 0118.
281	697268	Panel–Control (Used After Code Date 01102800). ———— Note ——— 695294 Panel–Control (Used Before Code Date 01102900).	298	698838	Locknut–Muffler/Elbow Used on Type No(s). 0142, 0147, 0154, 0156.	346	690367	Screw (Spark Arrestor) Used on Type No(s). 0114, 0115, 0117, 0118, 0125.
286	696702	Module–Oil Sensor (For Rewind Starter Engines & For Electric Start Engine) (Used After Code Date 03010500). Used on Type No(s). 0109, 0118, 0119, 0129, 0130, 0134, 0136, 0141, 0142, 0145, 0146, 0147, 0149, 0150, 0151, 0153. ———— Note ——— 695186 Module–Oil Sensor (For Rewind Starter Engines) (Used Before Code Date 03010600). Used on Type No(s). 0109, 0118, 0119, 0130, 0134, 0136, 0142, 0145, 0146, 0147, 0149, 0150, 0151.	300	697252	Muffler (Used After Code Date 02011000).	347	698338	Switch–Rocker Used on Type No(s). 0125, 0155.
			300A	695311	Muffler (Used Before Code Date 02011200).	347A	697854	Switch–Rocker Used on Type No(s). 0109, 0118, 0119, 0129, 0130, 0134, 0136, 0141, 0142, 0145, 0146, 0147, 0149, 0150, 0151, 0153, 0154, 0156.
			304	697250	Housing–Blower (Used After Code Date 01102800). ———— Note ——— 694687 Housing– Blower (Used Before Code Date 01102900) 697267 –Kit–Blower Housing (Used After Code Date 01102800). Used on Type No(s). 0110, 0115, 0129, 0141, 0143, 0154, 0214. 695481 Housing– Blower (Used Before Code Date 01102900). Used on Type No(s). 0110, 0115, 0129 0141, 0143.			

★ Included in Engine Gasket Set–Ref. No.358.

● Included in Carburetor Overhaul Kit–Ref. No. 121 &121A.

◆ Included in Carburetor Gasket Set–Ref. No. 977 & 977A.

⊗ Included in Valve Gasket Set–Ref. No 1095.

Illustrations cover a range of engines. Parts shown without corresponding text are not used on this engine.

204400

REF. NO.	PART NO.	DESCRIPTION	REF. NO.	PART NO.	DESCRIPTION	REF. NO.	PART NO.	DESCRIPTION
356	692603	Wire—Stop (1 Wire, 6–1/2" Long) (Push—On Insulated Female Blade Terminal, And Ring Terminal) ———— Note ———— 695366 Wire Stop Used on Type No(s). 0109, 0118.	361	691681	Screw (Starting Switch)	505	691251	Nut (Governor Control Lever)
356A	692390	Wire—Stop 1 Wire, 17" Long) (Snap Connect Insulated Female Blade Terminal, And Bare Wire End)	364	695365	Terminal—Oil Plug Used on Type No(s). 0109, 0118, 0119, 0130, 0134, 0136, 0141, 0142, 0143, 0145, 0146, 0147, 0149, 0153.	510	693699	Drive—Starter
356B	695815	Wire—Stop (2 Wires, 13" and 13" Long)(Snap Connect Insulated Female Blade Terminal, Snap Connect Insulated Pin Socket)	369	695422	Spring—Float Bowl	513	692024	Clutch—Drive
356C	695295	Wire—Stop (2 Wires, 15" And 13" Long)(Snap Connect Insulated Female Blade Terminal, Snap Connect Insulated Pin Terminal, And Push—On Female Blade Terminal)	383	19374	Wrench—Spark Plug	522	696938	Plug—Dipstick/Fill Used on Type No(s). 0130, 0134.
356F	697336	Wire—Stop (2 Wires, 13" And 20" Long)(Snap Connect Insulated Female Blade Terminal, Push—On Female Blade Terminal And Bare Wire End) Used on Type No(s). 0115, 0143, 0157.	410	695382	Link—Control	523	695344	Dipstick
356K	695815	Wire—Stop (1 Wire, 13–5/8" Long)(Snap Connect Insulated Female Blade Terminal, And Snap Connect Insulated Pin Socket) Used on Type No(s). 0036, 0114, 0117, 0213, 0214.	415	691363	Plug	524	691876	Seal—Dipstick Tube
358	695438	Gasket Set—Engine	425	690958	Screw (Air Cleaner Cover) Used on Type No(s). 0036, 0100, 0105, 0113, 0114, 0115, 0117, 0119, 0125, 0157. ———— Note ———— 694515 Screw (Air Cleaner Cover) Used on Type No(s). 0118, 0141, 0143, 0145, 0149, 0153.	525	695343	Tube—Dipstick
			445	491588	Filter—Air Cleaner Cartridge	526	690297	Screw (Regulator)
			455	697226	Cup—Flywheel	526A	690326	Screw (Regulator) Used on Type No(s). 0157.
			455A	697357	Cup—Flywheel Used on Type No(s). 0109, 0156.	544	692034	Armature—Starter
			456	692299	Plate—Pawl Friction	552	694674	Bushing—Governor Crank
			459	281505	Pawl—Ratchet	562	691119	Bolt (Governor Control Lever)
			474A	695730	Alternator (3 Amps Dc) Used on Type No(s). 0115, 0141, 0143, 0154, 0214.	564	692577	Screw (Control Cover) Used on Type No(s). 0109, 0118, 0119, 0125, 0129, 0130, 0134, 0142, 0143, 0145, 0147, 0149.
			474D	695466	Alternator	564A	692198	Screw (Control Cover) Used on Type No(s). 0109, 0118, 0119, 0125, 0129, 0130, 0134, 0142, 0143, 0145, 0147, 0149.
			493	691177	Bracket—Mounting ———— Note ———— 694861 Bracket— Mounting Used on Type No(s). 0109, 0118, 0119.	575	692303	Switch—Starter
			500	691086	Lockwasher Used on Type No(s). 0157.	578	692306	Wire—Stop (1 Wire, 48–1/2" Long)(Snap Connect Female Pin Terminal, And Bare Wire End) Used on Type No(s). 0110, 0115, 0129, 0141, 0143, 0154, 0214.
			501	691185	Regulator	579	691029	Nut (Starter Cable) ———— Note ———— 690630 Nut (Starter Cable) Used on Type No(s). 0157.
			501A	691188	Regulator Used on Type No(s). 0157.			
			503	691532	Strap—Starter			
			504	695383	Washer Set—Friction			

★ Included in Engine Gasket Set—Ref. No.358.

● Included in Carburetor Overhaul Kit—Ref. No. 121 &121A.

◆ Included in Carburetor Gasket Set—Ref. No. 977 & 977A.

⊘ Included in Valve Gasket Set—Ref. No 1095.

Illustrations cover a range of engines. Parts shown without corresponding text are not used on this engine.

REF. NO.	PART NO.	DESCRIPTION	REF. NO.	PART NO.	DESCRIPTION	REF. NO.	PART NO.	DESCRIPTION
592	690800	Nut (Rewind Starter)	636	696198	Nut (Starter Switch)	798	697890	Screw (Rocker Arm)
597	691696	Screw (Pawl Friction Plate)	641	691075	Washer (Starter Switch)	799	690297	Screw (Oil Sensor)
601	95162	Clamp-Hose	641A	690282	Washer (Starter Switch)			Used on Type No(s). 0109, 0118, 0119, 0130, 0134, 0136, 0141, 0142, 0143, 0145, 0146, 0147, 0149, 0153.
604	697326	Cover-Control (Used After Code Date 01061000). Used on Type No(s). 0109, 0118, 0119, 0125, 0129, 0130, 0134, 0142, 0143, 0145, 0147, 0149.	663	692577	Screw (Control Panel)			Note
		Note	664	691087	Nut (Key Switch)			695446 Screw (Oil Sensor)
		696078 Cover Control (Used Before Code Date 01061100). Used on Type No(s). 0109, 0118, 0119, 0125, 0129, 0130, 0134, 0142, 0143, 0145, 0147, 0149.	668	694257	Spacer (Control Bracket)	801	694482	Cap-Drive
			676	393761	Deflector-Muffler	802	691286	Cap-End
			677	690367	Screw (Muffler Deflector) Used on Type No(s). 0114, 0115, 0117, 0125, 0157.	803	693757	Housing-Starter
			689	691855	Spring-Friction	813	690635	Clamp
			692	691301	Spring-Detent	832	695386	Guard-Muffler
			697	690372	Screw (Drive Cap)	836	695312	Screw (Muffler Guard) (Used After Code Date 01061000).
			718	690959	Pin-Locating (Head)			Note
608	695287	Starter-Rewind Note	718A	695178	Pin-Locating			690367 Screw (Muffler Guard) (Used Before Code Date 01061100).
		697356 Starter Rewind Used on Type No(s). 0109, 0110, 0115, 0129, 0141, 0143, 0154, 0214.	725	698836	Heat Shield Used on Type No(s). 0142, 0147, 0154, 0156.	842	691031	Seal-O Ring (Dipstick Tube)
					Note	847	695342	Dipstick/Tube Assembly
					698837 Heat-Shield Used on Type No(s). 0142, 0147, 0154, '0156.	868	*△690968	Seal-Valve
613	695312	Screw (Muffler)	727	695480	Cover-Starter Drive	877	394251	Wire/Connector Assy
613A	695399	Screw (Muffler)	727A	697465	Cover-Starter Drive	883	*△697255	Gasket-Exhaust (Used After Code Date 02011900).
615	694676	Retainer-Governor Shaft	728	696763	Screw (Heat Shield)			Note
616	694675	Crank-Governor	732	691097	Screw (Starter Drive Cover)			695398 -Gasket Exhaust (Used Before Code Date 02012000).
621	692310	Switch-Stop	741	691288	Gear-Timing	892	382833	Switch-Key Used on Type No(s). 0157.
622	698839	Washer (Heat Shield)	742	692564	Retainer-E Ring	914	693732	Screw (Rocker Cover)
627	696064	Bracket-Stop Switch	746	694679	Gear-Idler			Note
633	◆690597	Seal-Choke/Throttle Shaft	773	694258	Retainer			696754 Screw (Rocker Cover) Used on Type No(s). 0134, 0142.
633A	◆691326	Seal-Choke/Throttle Shaft	774	695447	Screw (Wire Stop)			
633B	◆690998	Seal-Choke/Throttle Shaft	783	693713	Gear-Pinion			
635	710901	Boot-Spark Plug	797	693167	Nut (Brush Retainer)			

★ Included in Engine Gasket Set-Ref. No.358.

● Included in Carburetor Overhaul Kit-Ref. No. 121 &121A.

◆ Included in Carburetor Gasket Set-Ref. No. 977 & 977A.

⊗ Included in Valve Gasket Set-Ref. No 1095.

Illustrations cover a range of engines. Parts shown without corresponding text are not used on this engine.

204400

REF. NO.	PART NO.	DESCRIPTION	REF. NO.	PART NO.	DESCRIPTION	REF. NO.	PART NO.	DESCRIPTION
918	499214	Hose-Vacuum Used on Type No(s). 0141, 0154.	977	695439	Gasket Set-Carburetor (Walbro Carburetors)	1052A	698869	Sensor-Oil (Used After Code Date 03010500).
950	695407	Screw-Float Bowl Note 691657 Screw-Float Bowl Used on Type No(s). 0100, 0114.	977A	696147	Gasket Set-Carburetor (Nikki Carburetors)			Used on Type No(s). 0109, 0118, 0119, 0129, 0130, 0134, 0136, 0141, 0142, 0143, 0145, 0146, 0147, 0149, 0150, 0151, 0153, 0154, 0156.
955	695659	Plug-Carburetor	990	691959	Key Set	1058	275092	Owner's Manual
957	694261	Cap-Fuel Tank (Plastic)	1005	694684	Fan-Flywheel	1070	691183	Screw (Flywheel Fan)
958	692586	Valve-Fuel Shut Off (Plastic)	1019	695442	Kit-Label	1090	691293	Retainer-Brush
967	491435	Filter-Pre Cleaner	1022	★△690971	Gasket-Rocker Cover	1095	695440	Gasket Set-Valve
968	697061	Cover-Air Cleaner (Used After Code Date 01061000). Used on Type No(s). 0036, 0100, 0105, 0113, 0114, 0115, 0117, 0119, 0125, 0146, 0150, 0155, 0157, 0213, 0214. Note 695385 Cover-Air Cleaner (Used Before Code Date 01061100). Used on Type No(s). 0036, 0100, 0105, 0113, 0114, 0115, 0117, 0119, 0125, 0146.	1023	694690	Cover-Rocker Arm Note 697691 Cover-Rocker Cover Used on Type No(s). 0105.	1100	690973	Pivot-Rocker Arm
968A	692321	Cover-Air Cleaner Used on Type No(s). 0109, 0118, 0129, 0130, 0134, 0136, 0141, 0142, 0143, 0145, 0147, 0149, 0153, 0154.	1026	695177	Rod-Push	1119	691058	Screw (Alternator) Note 691183 Screw (Alternator) Used on Type No(s). 0110, 0115, 0129, 0141, 0143, 0154, 0214.
971A	690958	Screw (Air Cleaner Base To Carburetor) Used on Type No(s). 0109, 0129, 0130, 0134, 0136, 0142, 0147, 0155.	1029	690972	Arm-Rocker	1127A	695407	Screw (Float Bowl)
972	694260	Tank-Fuel (Plastic)	1036	698237	Label-Emissions (Used After Code Date 02063000). Note 695703 Label- Emissions (Used Before Code Date 02070100 and After Code Date 00063000). 695431 Label- Emissions (Used Before Code Date 00070100).	1138	694255	Nut (Control Bracket)
975	495933	Bowl-Float	1046	691337	Plug-Blower Housing Used on Type No(s). 0143.	1161	693649	Nut (Nut Plug Terminal)
975A	696138	Bowl-Float	1051	691265	Ring-Retaining	1171	696754	Stud (Rocker Cover) Used on Type No(s). 0134, 0142, 0147, 0150, 0151, 0156.
			1052	694858	Sensor Oil (Used Before Code Date 03010600). Used on Type No(s). 0109, 0118, 0119, 0129, 0130, 0134, 0136, 0141, 0142, 0143, 0145, 0146, 0147, 0149, 0150, 0151, 0154, 0156.	1194	691876	Seal-O Ring (Plug)
						1210	498144	Pulley/Spring Assembly (Pulley)
						1211	498144	Pulley/Spring Assembly (Spring)

★ Included in Engine Gasket Set-Ref. No.358.

● Included in Carburetor Overhaul Kit-Ref. No. 121 &121A.

◆ Included in Carburetor Gasket Set-Ref. No. 977 & 977A.

∅ Included in Valve Gasket Set-Ref. No 1095.

Illustrations cover a range of engines. Parts shown without corresponding text are not used on this engine.